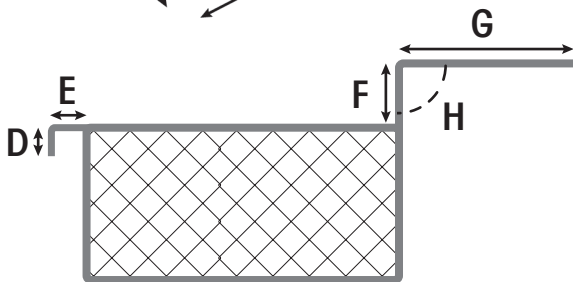
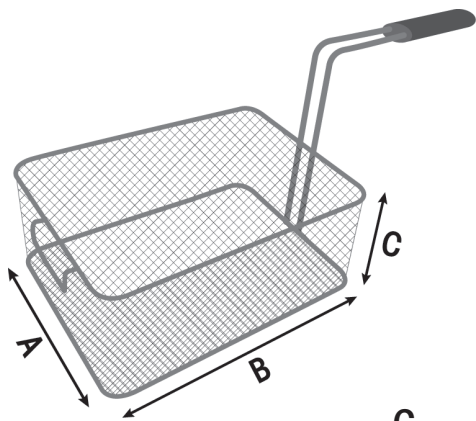
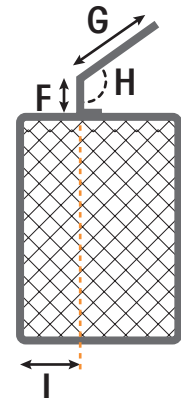
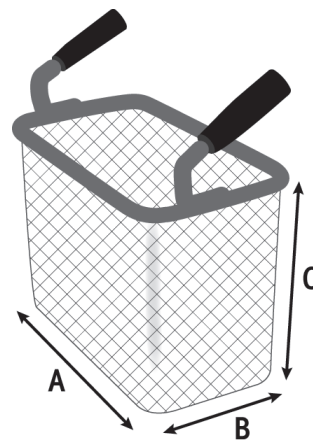
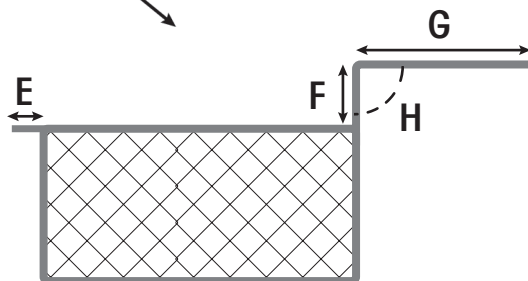
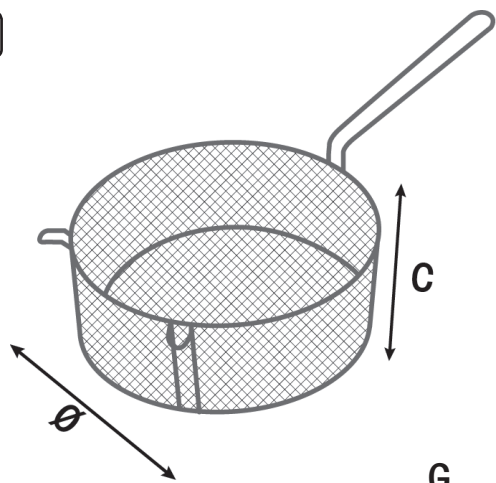


TECHNICAL DATA





- 1 - Choose the wished basket
- 2 - Specify the dimension in mm (A, B, C, D, E, F, G)
- 3 - Specify the angle (H)
- 4 - Choose the material
- 5 - Write down any notes if necessary



A	<input type="text"/>	mm	F	<input type="text"/>	mm
B	<input type="text"/>	mm	G	<input type="text"/>	mm
C	<input type="text"/>	mm	H	<input type="text"/>	°
D	<input type="text"/>	mm	I	<input type="text"/>	mm
E	<input type="text"/>	mm	Ø	<input type="text"/>	mm

Material: Nickel-plated steel Stainless steel

Quantity:

Notes:

If you want us to manufacture a model that is not included in this template, attach a photo or drawing with dimensions, with this form and send them to: comercial@eunasa.com